

Customer Pole Display Specifications

Display Formats (Character Size):

Vacuum Fluorescent Displays

- 5x7 Dot Matrix
- 2x20 (5mm and 9mm)

Liquid Crystal Display

- Dual 18x120 Dot Cell, 4x20 (10mm-5x8)
- Dual 18x240 Dot Cell, 4x40 (9mm-5x8)

Graphic Monochrome STN Liquid Crystal Display

- Viewing area 133x39mm
- Resolution 240x64 pixels
- Dot size 0.49x0.49mm

Software Features:

VF and LCD models

- Self-test
- Cursor: ON-OFF, position, read position
- Display: Clear, brightness control (4 levels), blink (field and interval selectable), normal or reverse field.
- Data Top or bottom line
- Entry: modes, rightmost or data wrap modes.
- Scroll: Vertical, horizontal
- Data readback, Select character set, Download user defined characters, Reset

LCD models

- Limited graphics

Graphic LCD model

- Full graphics

Typical controls are shown, consult the User's Manual or Engineering Specification for complete information on the display selected.

Supported Protocols:

- Standard IEE command set
- JavaPOS (v1.6)
- OPOS (v1.9) OPOS Control Object (CO) downloadable from our web site www.ieseinc.com. Proprietary JPOS and OPOS Service Object (SO) licensed free to our customers.
- WEPOS certified models

Communications:

VF and LCD Models

- EIA/TIA232, EIA-422, EIA-485 (multi-drop)

Select VF Models

- USB 1.1 or 2.0 powered over USB cable

Graphic LCD and VF Double-sided Models

- USB 2.0 powered over USB PlusPower Cable
- USB 1.1 or 2.0 with data on USB Type A connector and power via brick power supply

Languages:

VF and LCD Models

- USACII, European, Katakana, Cyrillic, Hebrew, Polish, Greek, (IBM)

VF Models

- ISO8859-1, ISO8859-2

LCD Models

- USACII uppercase-bold, International extensions, Thai, Chinese GB, Hungul

Graphic LCD Models

- Full pixel addressing graphics
- Optional: Graphical character sets Kanji, Hungul, Big 5 Chinese

Note: Character sets are resident in the driver

Housings:

VF models

- Select models in aluminum extrusion, molded plastic or compact molded housing

LCD models

- Select models in aluminum extrusion or molded plastic

Graphic LCD and VF Double-sided Models

- Compact molded housing



Aluminum Extrusion

Molded Plastic

Compact Molded Plastic

Double-sided Compact Molded Plastic

Colors - Jet black (IEE std.), Ivory gray - light, medium and dark; gray charcoal, brown-black

Horizontal Swivel - 330° Arc rotation

Tilt Adjustment - 36° soft-detent recline (not available on back-to-back model)

Mounting Bases:



Sheet Metal

Heavy Metal

Surface Mount

Pass Through Base

90° Wall Mount configuration (optional)

Ceiling Mount configuration (optional)

Case Mount - 1/8" max. thick. mtg. surface

Counter Top - 2" max. thick. mtg. surface

Table/Counter Top Mounting Base Kit

POS Organizer Mountings - APG, ICD, MMF, MS Cash

IBM compatible

Pole Lengths:

Vertical Mount - 2", 3", 4", 6", 8", 10", 12", 18", 22"

Wall Mount - 3", 4", 6", 8"

Filter Colors:

VF Models

- High contrast, non-glare green, blue, aqua

LCD Models

- Clear with green or black mask

Graphic LCD Models

- Backlight, white CCFL

Regulatory:

c R U S

CE-EN55022, 1998 Class A. EN55024, 1998, EN61000-3, EN61000-4

FCC Title 47 Part 15, Class A

CSA Standard C22.2 No. 950 recognized product (U.S. and Canada)

RoHS compliant

WEEE



7740 Lemona Avenue, Van Nuys, California 91409-9234 U.S.A.

Tel: 818-787-0311 • 800-422-0867 • Fax: 818-901-9046 • email: mail@ieseinc.com • www.ieseinc.com

ScanVue® Specifications

Display Options:

1/4 VGA Color Graphics Active Matrix LCD

Size: 5.7" Diagonal

Format: 1/4 VGA

Backlight: 300 CD/m²

Vacuum Fluorescent Dot Matrix Display

Format: 4 x 20-5mm

Communications Options:

RF: Wi-Fi compliant 2.4 GHz, 11 Mbps 802.11b (available only with full-featured models)

Ethernet: TCP/IP over Ethernet, 10/100 Base T

Scanner:

Type: Omnidirectional

Speed: 1,650 Scan Lines per Second

Pattern: 5 Fields of 4 Parallel Lines

Depth: 1 - 11" for 0.33mm (13 mil) bar code

Decode: Auto discriminates all 1-D bar codes including RSS-14, RSS Limited and RSS expanded

Processor:

Full Featured Models

AMD LX800 Geode

Low Cost Models

NetARM Q40

Memory (Socketed):

Full Featured Models

Flash: 512 Mbyte (expandable) Compact flash

RAM: 512 Mbyte (expandable) SoDimm

Low Cost Models

Flash: 1 Mbyte

RAM: 8 Mbyte

External Data Ports:

1 RS-232

2 USB 2.0 (full featured models only)

Physical Characteristics:

Full Featured Models

Dimensions: 7.0" W x 9.81"H x 5.04" D

Weight: 5.45 lbs. (without mounting hardware)

Low Cost Models

Dimensions: 7.0" W x 8.5"H x 4.88" D

Weight: 5.2 lbs. (without mounting hardware)

Environmental:

Operating Temperature: 0° C to 50° C

Storage Temperature: -20° C to +70° C

Humidity: 95% RH (non-condensing)

Vibration: .02 G²/Hz (≈3.8 GRMS), 20 - 500 Hz

Drop Shock: 6' Drop onto Concrete (in shipping carton)

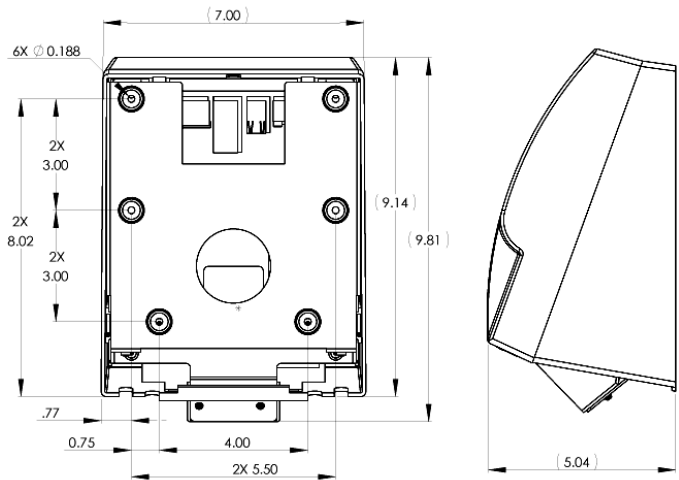
Software:

Full Featured Models

Operating System: Embedded Linux (Product Info API)

Low Cost Models

Operating System: pSOS+ (Product Info API)



Power Requirement:

Input Voltage: 11-29 VDC (24 VDC nominal)

Input Power: 10 Watts typ (does not include optional peripherals)

Power Supply:

Input Voltage: 90-260 VAC/15W

Output Voltage: 15 VDC @ 1.6A

PoE Version:

Input Voltage: 48VDC (IEEE 802.3af compliant)

Input Power: 10 Watts typ (does not include optional peripherals)

Security:

WEP 40/WEP 128, WPA/WPA 2

Emulators:

Various manufacturers

Available Options:

Serial printer Four pushbutton switches

Full Featured Models Only

Touch Screen Mag Stripe reader

20-key keypad Hand-held scanner

Custom configurations and colors available

Mounting Options:

Plate wall mount, tabletop stand, co-located printer

Regulatory:

IEC 60950 - cTUVus

Laser Safety: CDRH Class II, IEC Class 2

CSA Standard C22.2 No. 950 recognized product

FCC Title 47 Part 15, Class A

CE-EN55022, 1998 Class A. EN55024, 1998, EN61000-3, EN61000-4

IECEE - CB Scheme

RoHs compliant models

WEEE

U. S. Patent No. 6,213,394 B1



7740 Lemona Avenue, Van Nuys, California 91409-9234 U.S.A.

Tel: 818-787-0311 • 800-422-0867 • Fax: 818-901-9046 • email: mail@ieeinc.com • www.ieeinc.com